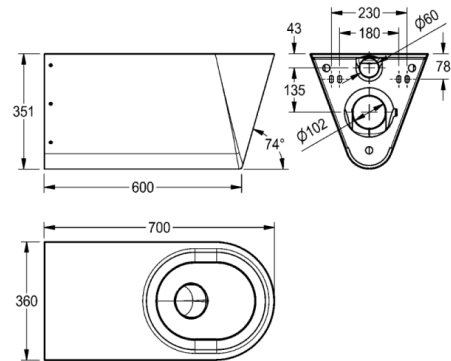


# CAMPUS Wall hung WC pan barrier-free

MODEL RANGE: CAMPUS | CMPX594 | 2000100147

WCs and urinals | WCs



Wall hung WC pan for disabled, stainless steel, surface satin finished, material thickness 1.6 mm, flushing certificated to EN 997, concealed flushing rim with min. 4 liter flushing capacity, with a shrouded 100 mm diameter horizontal 'P' trap outlet, pressed seat area tapered towards centre, all edges curved, fixing with included mounting plate conform to EN 33, including safety screws.

Without seat

Dimensions 360 x 351 x 700 mm (W x H x D)

## Technical data

Material thickness	1.60 mm
Overall depth	700.00 mm
Overall height	351.00 mm
Overall width	360.00 mm
Material	Stainless steel
Material code	1.4301 Chrome Nickel steel V2A
Surface finish	Satin finished
Outlet size	DN 100
Inlet size	DN 55
Type of toilet seat	No seat
Type of WC	Wall hung
Minimum flushing capacity	4.00 liter
Barrier-free	Yes